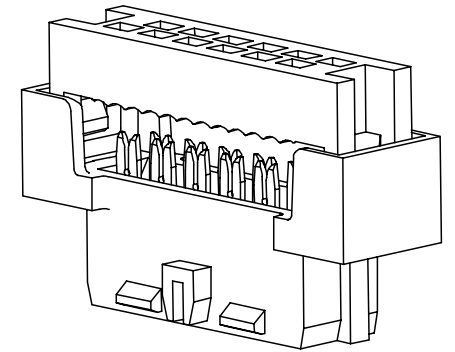
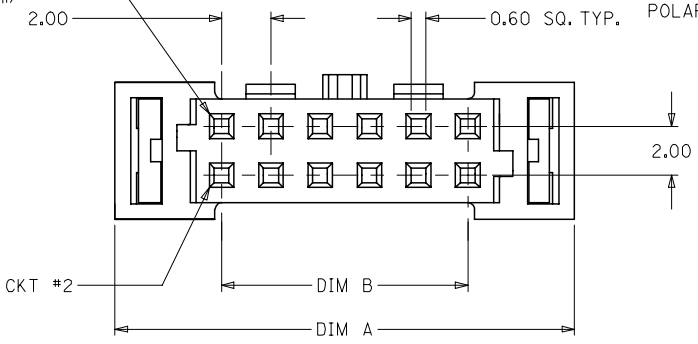
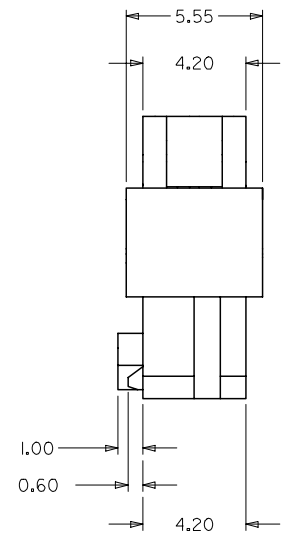
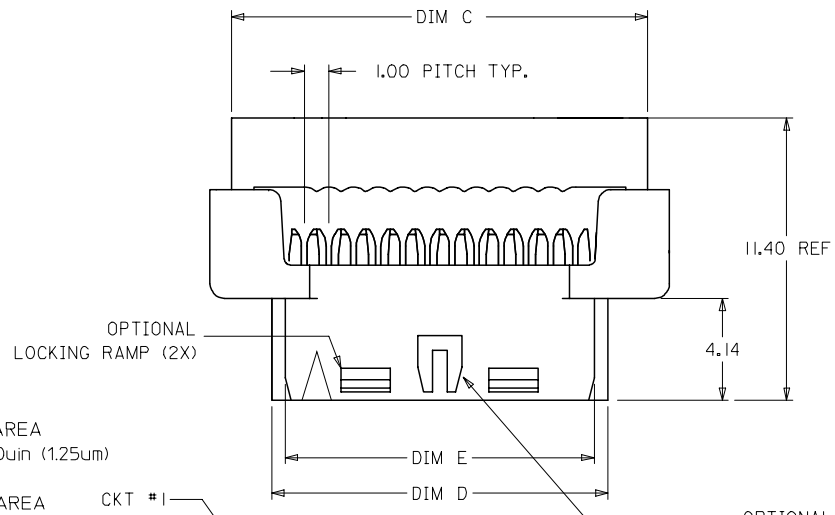


10 9 8 7 6 5 4 3 2 1

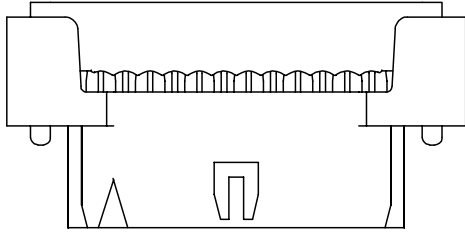
1. MATERIALS:
 HOUSING - PBT, GLASS FILLED UL94V-0 BLACK
 TERMINAL - COPPER ALLOY
2. FINISHES
 PLATING 3 - 15µin (0.38µm) SELECTIVE GOLD IN CONTACT AREA
 AND 75µin (1.88µm) TIN IN IDT AREA OVER 50µin (1.25µm)
 NICKEL OVERALL.
 PLATING 4 - 30µin (0.76µm) SELECTIVE GOLD IN CONTACT AREA
 AND 75µin (1.88µm) TIN IN IDT AREA OVER 50µin (1.25µm)
 NICKEL OVERALL.
3. PRODUCT SPEC PS-87568-004 APPLIES
 4. FOR ILLUSTRATION PURPOSES, I2 CKT IS SHOWN
 5. PART MATES WITH ALL MILLIGRID HEADERS WITH MATING LENGTH
 BETWEEN 2.50mm AND 4.20mm
 6. PART IS DESIGNED FOR 1.00mm PITCH FLAT CABLE, 7 STRANDS,
 AWG #28, UL2651 AND UL2678
 7. ALL OTHER CIRCUIT SIZES, CONTACT FACTORY.
 8. STRAIN RELIEF TO BE PURCHASED SEPERATELY,
 REFER TO SD-87569-008



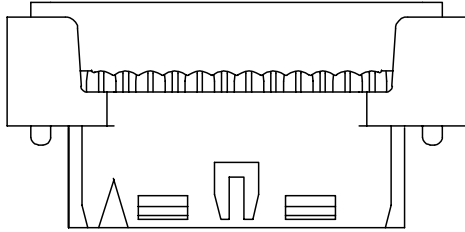
OBS TIN/LEAD P/N EC NO: S2006-0732 DRWN:MLONG CHKD:NAGESHKN APPR:PTLIM	QUALITY SYMBOLS ▽=0 △=0	GENERAL TOLERANCES (UNLESS SPECIFIED)		DIMENSION STYLE MM ONLY		SCALE NTS	DESIGN UNITS METRIC	THIRD ANGLE PROJECTION		
			mm	INCH	DRAWN BY AGARWAL	DATE 1997/08/05	TITLE MGRID 2MM DUAL ROW IDT RECEPTACLE			
		4 PLACES ± ---	± ---	± ---	CHECKED BY SQUEK	DATE 1997/09/03				
		3 PLACES ± ---	± ---	± ---	APPROVED BY JAMES	DATE 1997/09/03	MOLEX INCORPORATED			
			DRAFT WHERE APPLICABLE MUST REMAIN WITHIN DIMENSIONS		MATERIAL NO. SEE TABLE		DOCUMENT NO. SD-87568-003	SHEET NO. 1 OF 3		

9 8 7 6 5 4 3 2 1

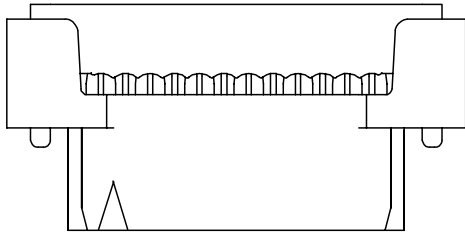
10 9 8 7 6 5 4 3 2 1



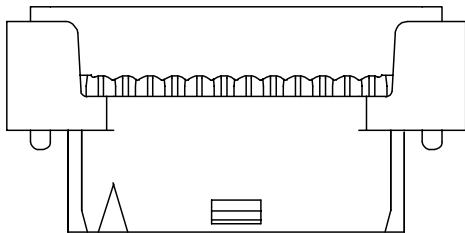
87568-***4*
POLARIZATION ONLY
(APPLICABLE FOR 14 TO 50 CKT)



87568-***9*
POLARIZATION AND RAMP LOCKING
(APPLICABLE FOR 14 TO 50 CKT)

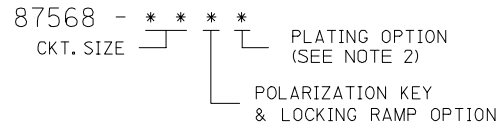


87568-***6*
NO POLARIZATION/RAMP FEATURE
(APPLICABLE FOR 10 TO 50 CKT)



87568-***7*
SINGLE RAMP LOCKING ONLY
(APPLICABLE FOR 10 TO 12 CKT)

ENGINEERING NUMBER	CKT. SIZE	A	B	C	D	E
87568-10**	10	16.65	8.00	14.90	11.65	10.55
87568-12**	12	18.65	10.00	16.90	13.65	12.55
87568-14**	14	20.65	12.00	18.90	15.65	14.55
87568-16**	16	22.65	14.00	20.90	17.65	16.55
87568-20**	20	26.65	18.00	24.90	21.65	20.55
87568-22**	22	28.65	20.00	26.90	23.65	22.55
87568-24**	24	30.65	22.00	28.90	25.65	24.55
87568-26**	26	32.65	24.00	30.90	27.65	26.55
87568-30**	30	36.65	28.00	34.90	31.65	30.55
87568-34**	34	40.65	32.00	38.90	35.65	34.55
87568-36**	36	42.65	34.00	40.90	37.65	36.55
87568-40**	40	46.65	38.00	44.90	41.65	40.55
87568-44**	44	50.65	42.00	48.90	45.65	44.55
87568-50**	50	56.65	48.00	54.90	51.65	50.55



- 4 - WITH POLARIZATION ONLY FOR 14 - 50 CKT
- 6 - WITHOUT POLARIZATION AND RAMP LOCKING
- 7 - WITH SINGLE RAMP LOCKING ONLY FOR 10 & 12 CKT
- 9 - WITH POLARIZATION AND RAMP LOCKING FOR 14 - 50 CKT

10-12 CIRCUIT SIZE HAS ONLY ONE RAMP FOR LOCKING (OPTIONAL)

14-50 CIRCUIT SIZE HAS BOTH POLARIZATION AND RAMP LOCKING (OPTIONAL)

OBS TIN/LEAD P/N EC NO: S2006-0732 DRWN:MLONG CHKD:NAGESHKN APPR:PTLIM	2006/04/03 2006/04/04 2006/04/06	DESCRIPTION REV	QUALITY SYMBOLS	GENERAL TOLERANCES (UNLESS SPECIFIED)	DIMENSION STYLE	SCALE	DESIGN UNITS	THIRD ANGLE PROJECTION		
			▽=0 ∇=0	mm INCH	MM ONLY	NTS	METRIC			
				4 PLACES ± --- ± --- 3 PLACES ± --- ± --- 2 PLACES ± 0.15 ± --- 1 PLACE ± --- ± ---	DRAWN BY DATE AGARWAL 1997/08/05	TITLE	MGRID 2MM DUAL ROW IDT RECEPTACLE			
				ANGULAR ± 3 °	CHECKED BY DATE SQUEK 1997/09/03					
	DRAFT WHERE APPLICABLE MUST REMAIN WITHIN DIMENSIONS	APPROVED BY DATE JAMES 1997/09/03	MATERIAL NO.	DOCUMENT NO.	MOLEX INCORPORATED					
				SIZE A3	SEE TABLE	SD-87568-003	SHEET NO. 2 OF 3			

9 8 7 6 5 4 3 2 1

10 9 8 7 6 5 4 3 2 1

F

E

D

C

B

A

F

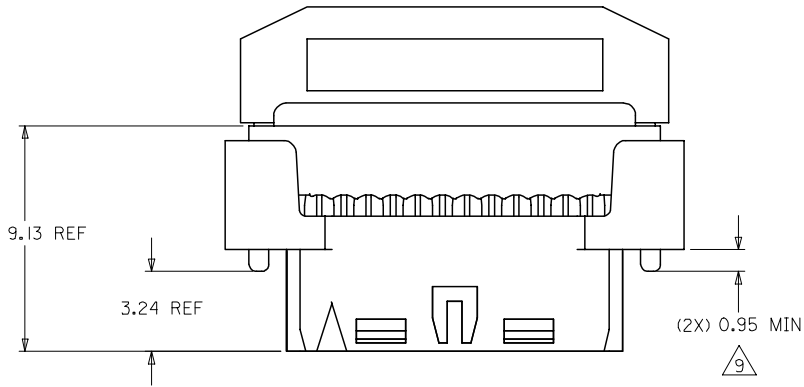
E

D

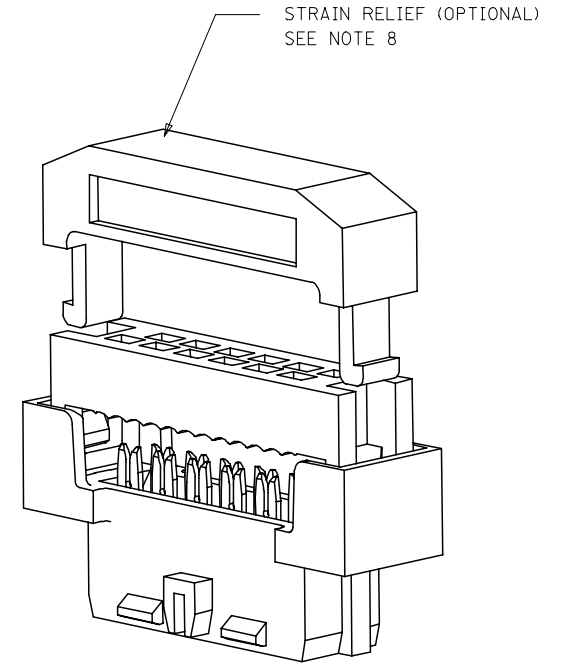
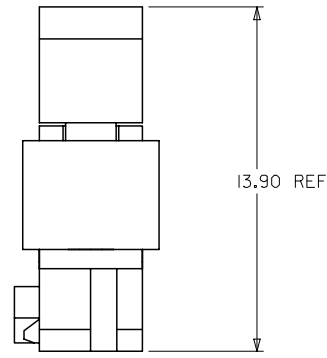
C

B

A



CABLE LOADED ASSEMBLY WITH STRAIN RELIEF



3D VIEW
(12 CKT SHOWN FOR ILLUSTRATION ONLY)

NOTES

9 THIS DIMENSION IS TO ENSURE GOOD CABLE TERMINATION.

OBS TIN/LEAD P/N EC NO: S2006-0732 DRWN:MLONG 2006/04/03 CHKD:NAGESHKN 2006/04/04 APPR:PTLIM 2006/04/06	DESCRIPTION REV	QUALITY SYMBOLS	GENERAL TOLERANCES (UNLESS SPECIFIED)		DIMENSION STYLE MM ONLY		SCALE NTS	DESIGN UNITS METRIC	THIRD ANGLE PROJECTION																	
		$\nabla=0$ $\triangle=0$	<table border="1"> <thead> <tr> <th></th> <th>mm</th> <th>INCH</th> </tr> </thead> <tbody> <tr> <td>4 PLACES</td> <td>± ---</td> <td>± ---</td> </tr> <tr> <td>3 PLACES</td> <td>± ---</td> <td>± ---</td> </tr> <tr> <td>2 PLACES</td> <td>± 0.15</td> <td>± ---</td> </tr> <tr> <td>1 PLACE</td> <td>± ---</td> <td>± ---</td> </tr> </tbody> </table>		mm	INCH	4 PLACES	± ---	± ---	3 PLACES	± ---	± ---	2 PLACES	± 0.15	± ---	1 PLACE	± ---	± ---	DRAWN BY AGARWAL 1997/08/05		DATE 1997/08/05		TITLE MGRID 2MM DUAL ROW IDT RECEPTACLE			
			mm	INCH																						
		4 PLACES	± ---	± ---																						
3 PLACES	± ---	± ---																								
2 PLACES	± 0.15	± ---																								
1 PLACE	± ---	± ---																								
	CHECKED BY SQUEK 1997/09/03		DATE 1997/09/03		MOLEX INCORPORATED																					
	APPROVED BY JAMES 1997/09/03		DATE 1997/09/03		MATERIAL NO. SEE TABLE		DOCUMENT NO. SD-87568-003		SHEET NO. 3 OF 3																	
		DRAFT WHERE APPLICABLE MUST REMAIN WITHIN DIMENSIONS		SIZE A3		THIS DRAWING CONTAINS INFORMATION THAT IS PROPRIETARY TO MOLEX INCORPORATED AND SHOULD NOT BE USED WITHOUT WRITTEN PERMISSION																				

9 8 7 6 5 4 3 2 1